

# FLDF SERIES OUTDOOR LIGHTING

FLDF-84W-30K-BK

FLDF-84W-50K-BK

FLAG-POLE NARROW-BEAM SPOTLIGHTS

**WESTGATE**  
THE FUTURE IS HERE...AND IT'S QUITE BRIGHT!

Customer Name: \_\_\_\_\_

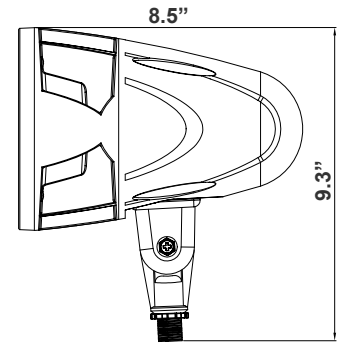
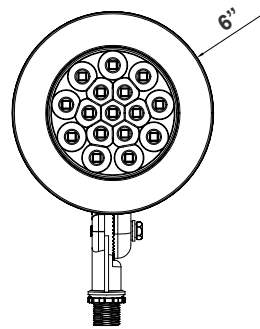
Project Name: \_\_\_\_\_

Note: \_\_\_\_\_

Type: \_\_\_\_\_



Avail. Finishes:



9.3"(H) x 8.5"(W) x 6"(D)

This 84W Flag Pole Spotlight delivers an impressive 9000 lumens with a 24° narrow beam angle, perfect for precise and powerful illumination of flags and tall structures. Its focused light ensures the flag stands out dramatically, providing brilliant visibility even from a distance. Ideal for outdoor applications, this spotlight combines energy efficiency with strong performance to highlight your flag beautifully.

## Features

- Metal Housing With Potted Inside Finish (Black)
- 1/2" Threaded Knuckle Stem
- Lens Type: Plaid Tempered Glass + Aluminum Reflectors

## Technical Specifications

### Electrical:

- Voltage: 120-277V
- Power Factor: >0.9
- Wattage: 84W
- Efficacy: 107 LPW

### Mechanical:

- Metal Housing With Potted Inside Finish (Black)
- Cord type: 18" SJTW 18/3 AWG cable
- 1/2" Threaded Knuckle Stem
- Built in Surge Protection, Common Mode 6KV
- Operating Temperature: -40°F to 122°F
- IP Rating: IP65
- Suitable for Wet Locations
- 7-Year Warranty

### Lighting:

- Lens Type: Plaid Tempered Glass + Aluminum Reflectors
- Total Lumens: 9000LM
- Color Temperatures: 3000K/5000K
- Color Rendering Index: CRI ≥ 80
- Beam Angle: 25° Narrow-Beam
- Lifespan: 70,000 Hrs.

### Applications:

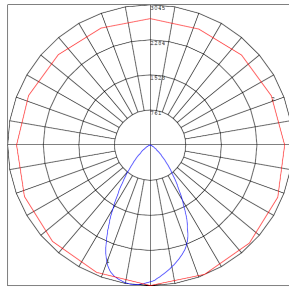
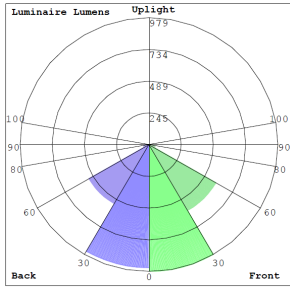
- Flagpole Lighting
- Monument Accents
- Signage
- Architectural Accents
- Landscape Lighting
- Security



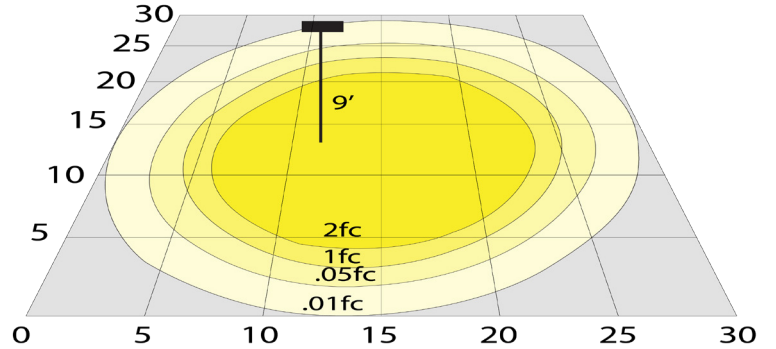
Phone: (877) 805-2252 | Fax: (877) 805-2252  
www.westgatemfg.com



## Photometrics: FLDF-84W-BK



BUG Rating: B2-U0-G0



84W 3000K, Area 30'x 30' Mounting Height: 9'

## Performance Table: FLDF-84W-BK

MODEL NO.	Wattage	Voltage	Lumens	Color Temp.	BUG Rating	LPW
FLDF-84W-30K-BR FLDF-84W-50K-BR	84W	120-277V	9000LM	3000K 5000K	B2-U0-G0	107

## Sample Ordering

**Model**    **Watt**    **Color Temp.**    **Finish**

FLDF - 84W -  - BK  
30K = 3000K  
 50K = 5000K

